

## connector - with screw terminals one piece



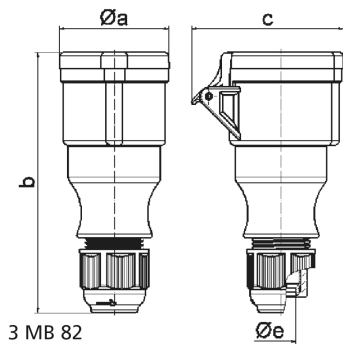
Product description	
BALS-Prd.-Nr	304-TSP
EAN	4024941202220
product category (PG)	TLS connector Multi-Grip cable gland
current (A)	32A
number of poles (P99)	5p
number of poles (P)	3p+N+PE
position of earth contact (H)	6 h
voltage (V)	200/346 up to 240/415V
frequency (HZ)	50 and 60Hz

Product description	
protection degree (SA)	IP44
colour code 1 (KF1)	red RAL 3000
Colour of appliance	Hinged lid red, Enclosure red, Cable gland grey
connection design (AT)	screw terminal
maximum conductor size (LQ)	6,0 qmm
cable entry (KE)	Cable gland
material of enclosure (GM)	PA6
contact	PA6, brass

Additional technical information	
	one piece housing, Multi-Grip cable gland with g, for cable diameter from 11 up

Logistics data	
Weight/pcs	0.304 kg / piece
Packaging	bag
Content amount	1 ST
EAN	4024941202220
Length	410 mm
Width	285 mm
Weight	0.304 kg
Packaging	carton

Logistics data	
Content amount	10 ST
EAN	4024941990110
Length	295 mm
Width	185 mm
Height	215 mm
Weight	3.204 kg
Volume	9,975 ccm



Ampere	16	16	16	32	32	32
Polzahl	3	4	5	3	4	5
a ø	51,0	58,0	65,0	67,0	67,0	73,0
b	145,0	148,0	156,0	185,0	185,0	185,0
c	74,0	84,0	90,0	94,0	94,0	102,0
e ø	18,0	18,0	18,0	23,0	23,0	23,0
Leiter mm <sup>2</sup> min	1	1	1	2,5	2,5	2,5
Leiter mm <sup>2</sup> max	2,5	2,5	2,5	6	6	6